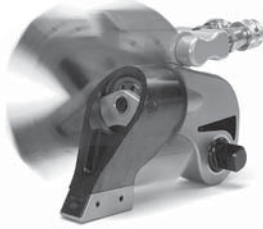


TORQUE WRENCH

Square Drive Series

MAX TORQUE 33,496 Nm 700 bar
24,705 Ft-Lb 10,152 PSI

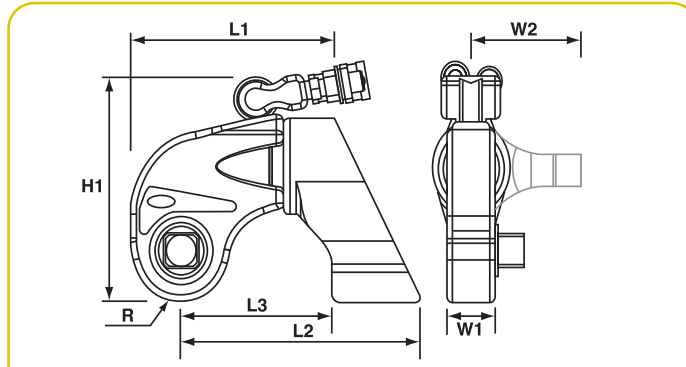


360° SWIVEL



HYDRAULIC SQUARE DRIVE TORQUE WRENCHES

- Low Weight, High Strength Design
- Superior Torsional Strength
- Fast Operation Cycle
- Fine Tooth Pawl
- Floating Piston Design
- Internal Swivel Manifold Relief
- Rigid Steel Body Construction
- Compact Frame Size



- Push Button Reversal of Square Drive
- Corrosion Resistant Finish
- 360° Reaction Arm
- Push to Click Reaction Arms
- Multi-Axis High Flow Swivel Manifold
- Simple Design
- Consistent Torque Output
- Fully Enclosed Drive Mechanism
- Accurate Torque Output
- Powerthon™ Lifetime Warranty

Tool Model	L1		L2		L3		H1		R		W1		W2	
	(in.)	(mm)	(in.)	(mm)	(in.)	(mm)	(in.)	(mm)	(in.)	(mm)	(in.)	(mm)	(in.)	(mm)
TWSD1	5.5	139	6.7	170	4.4	112	5.7	145	1.1	28	1.3	33	3.4	86
TWSD3*	6.7	170	7.7	196	4.9	124	6.9	175	1.5	38	1.8	46	4.1	104
TWSD6*	7.7	196	9.3	236	5.6	142	8.1	206	1.8	46	2.0	51	5.4	137
TWSD11	9.2	234	11.5	292	7.0	178	9.5	241	2.2	56	2.4	61	6.5	165
TWSD25	12.0	305	14.8	376	9.1	231	12.4	315	2.8	71	3.0	76	7.9	200



Tool Model	Square Drive		Max. Torque		Tool Weight	
	(in.)	(mm)	(ft. lbs.)	(Nm)	(lbs.)	(kg)
TWSD1	3/4	19.0	1,390	1800	5.1	2.3
TWSD3*	1	25.4	3,070	4160	9.9	4.5
TWSD6*	1 1/2	38.1	6,020	8157	17.4	7.9
TWSD11	1 1/2	38.1	10,940	14823	28.9	13.1
TWSD25	2 1/2	63.5	24,700	33496	65.0	29.5

*These models are obsolete, replaced by TWHC Series Wrench, refer to the Bolting Systems Catalog.

SQUARE DRIVE HEX DRIVES AND SOCKETS

Torque Wrench	Hexagon Drive Size		Hexagon Drive Size	
	A/F (in.)	Part No.	A/F (mm)	Part No.
TWS D1	0.63	TWD1-063	17mm	TWD1-017
	0.75	TWD1-075	19mm	TWD1-019
	0.88	TWD1-088	22mm	TWD1-022
	1.00	TWD1-100	24mm	TWD1-024
	-	-	27mm	TWD1-027
TWS D3	0.63	TWD3-063	17mm	TWD3-017
	0.75	TWD3-075	19mm	TWD3-019
	0.88	TWD3-088	22mm	TWD3-022
	1.00	TWD3-100	24mm	TWD3-024
	1.13	TWD3-113	27mm	TWD3-027
	1.25	TWD3-125	30mm	TWD3-030
	1.38	TWD3-138	32mm	TWD3-032
TWS D6	0.88	TWD6-088	22mm	TWD6-022
	1.00	TWD6-100	24mm	TWD6-024
	1.13	TWD6-113	27mm	TWD6-027
	1.25	TWD6-125	30mm	TWD6-030
	1.38	TWD6-138	32mm	TWD6-032
	1.50	TWD6-150	36mm	TWD6-036
TWS D11	1.63	TWD6-163	41mm	TWD6-041
	1.13	TWD11-113	27mm	TWD11-027
	1.25	TWD11-125	30mm	TWD11-030
	1.38	TWD11-138	32mm	TWD11-032
	1.50	TWD11-150	36mm	TWD11-036
	1.63	TWD11-163	41mm	TWD11-041
TWS D25	1.75	TWD11-175	46mm	TWD11-046
	1.50	TWD25-150	36mm	TWD25-036
	1.63	TWD25-163	41mm	TWD25-041
	1.75	TWD25-175	46mm	TWD25-046
	1.88	TWD25-188	50mm	TWD25-050
	2.00	TWD25-200	55mm	TWD25-055
	2.25	TWD25-225	60mm	TWD25-060
	2.50	TWD25-250	65mm	TWD25-065
	2.75	TWD25-275	70mm	TWD25-070



Socket Size in.	3/4" Drive Part No.	1" Drive Part No.	1-1/2" Drive Part No.	2-1/2" Drive Part No.	Socket Size mm	3/4" Drive Part No.	1" Drive Part No.	1-1/2" Drive Part No.	2-1/2" Drive Part No.
7/8	TWSIA088	TWSIB088	-	-	22	TWSMA022	TWSMB022	-	-
1-1/16	TWSIA106	TWSIB106	-	-	24	TWSMA024	TWSMB024	-	-
1-1/4	TWSIA125	TWSIB125	-	-	32	TWSMA032	TWSMB032	-	-
1-3/8	TWSIA138	TWSIB138	-	-	36	TWSMA036	TWSMB036	-	-
1-7/16	TWSIA144	TWSIB144	-	-	41	TWSMA041	TWSMB041	TWSMC041	-
1-5/8	TWSIA163	TWSIB163	TWSIC163	-	46	TWSMA046	TWSMB046	-	-
1-13/16	TWSIA181	TWSIB181	-	-	50	TWSMA050	TWSMB050	-	-
2	TWSIA200	TWSIB200	TWSIC200	-	55	-	TWSMB055	-	-
2-3/16	TWSIA219	TWSIB219	TWSIC219	-	60	-	TWSMB060	TWSMC060	-
2-3/8	TWSIA238	TWSIB238	TWSIC238	-	65	-	TWSMB065	TWSMC065	-
2-9/16	-	TWSIB256	TWSIC256	-	70	-	TWSMB070	TWSMC070	-
2-3/4	-	TWSIB275	TWSIC275	-	75	-	TWSMB075	TWSMC075	-
2-15/16	-	TWSIB294	TWSIC294	-	80	-	TWSMB080	TWSMC080	TWSMF080
3-1/8	-	TWSIB313	TWSIC313	TWSIF313	85	-	TWSMB085	TWSMC085	TWSMF085
3-3/8	-	TWSIB338	TWSIC338	TWSIF338	90	-	TWSMB090	TWSMC090	TWSMF090
3-1/2	-	TWSIB350	TWSIC350	TWSIF350	95	-	TWSMB095	TWSMC095	TWSMF095
3-3/4	-	TWSIB375	TWSIC375	TWSIF375	100	-	TWSMB100	-	TWSMF100
3-7/8	-	TWSIB388	-	TWSIF388	110	-	TWSMB110	TWSMC110	TWSMF110
4-1/8	-	TWSIB413	TWSIC413	TWSIF413	115	-	-	TWSMC115	TWSMF115
4-1/4	-	TWSIB425	TWSIC425	TWSIF425	120	-	-	TWSMC120	-
4-5/8	-	-	TWSIC463	TWSIF463	135	-	-	-	TWSMF135
5	-	-	-	TWSIF500	150	-	-	-	TWSMF150
5-3/8	-	-	-	TWSIF538					
5-3/4	-	-	-	TWSIF575					
6-1/8	-	-	-	TWSIF613					



MEASUREMENTS/ SPECIFICATIONS

Torque Wrench Selection Guide



Torque Wrench Selection Guide

TOOL GUIDELINE

BOLT - TORQUE				RECOMMENDED MODEL					
SAE1 SAE 2 30,000 PSI	ASTM 193 B7 BOLT	8-7 A/F HEAVY HEX NUT	ASTM 354 B8 60000 PSI	FT. LBS.	Nm	SQUARE DRIVE MAKE-UP ONLY	LOW CLEARANCE MAKE-UP	SQUARE DRIVE Break Out	LOW CLEARANCE Break Out
1"	7/8"	1-7/16"				300	408	TWSD1	TWLC2
1-1/8"	1"	1-5/8"	7/8"	425	578	TWSD1	TWLC2	TWSD1	TWLC2
				500	680	TWSD1	TWLC2	TWSD1	TWLC2
1-1/4"			1"	600	816	TWSD1	TWLC2	TWSD1	TWLC2
1-3/8"	1-1/8"	1-13/16"		700	952	TWSD1	TWLC2	TWSD1	TWLC2
	1-1/4"	2"	1-1/8"	800	1,088	TWSD1	TWLC2	TWSD3	TWLC4
1-1/2"				900	1,224	TWSD1	TWLC2	TWSD3	TWLC4
				1,000	1,360	TWSD1	TWLC2	TWSD3	TWLC4
1-5/8"	1-3/8"	2-3/16"	1-1/4"	1,250	1,700	TWSD1	TWLC2	TWSD3	TWLC4
				1,350	1,836	TWSD1	TWLC2	TWSD3	TWLC4
	1-1/2"	2-3/8"	1-3/8"	1,500	2,040	TWSD3	TWLC2	TWSD3	TWLC4
1-3/4"				1,600	2,176	TWSD3	TWLC4	TWSD6	TWLC4
1-7/8"				1,800	2,448	TWSD3	TWLC4	TWSD6	TWLC4
	1-5/8"	2-9/16"		2,000	2,720	TWSD3	TWLC4	TWSD6	TWLC4
2"				2,200	2,992	TWSD3	TWLC4	TWSD6	TWLC8
	1-3/4"	2-3/4"	1-5/8"	2,600	3,536	TWSD3	TWLC4	TWSD6	TWLC8
2-1/4"				3,000	4,080	TWSD3	TWLC4	TWSD6	TWLC8
	1-7/8"	2-15/16"	1-3/4"	3,700	5,032	TWSD6	TWLC4	TWSD11	TWLC8
2-1/2"	2"	3-1/8"		4,000	5,440	TWSD6	TWLC8	TWSD11	TWLC15
"			1-7/8"	4,400	5,984	TWSD6	TWLC8	TWSD11	TWLC15
2-3/4"			2"	5,100	6,936	TWSD6	TWLC8	TWSD11	TWLC15
	2-1/4"	3-1/2"		6,000	8,160	TWSD6	TWLC8	TWSD25	TWLC15
3"		3-7/8"	2-1/4"	7,000	9,520	TWSD11	TWLC8	TWSD25	TWLC15
	2-1/2"			8,000	10,880	TWSD11	TWLC15	TWSD25	TWLC30
3-1/4"				9,000	12,240	TWSD11	TWLC15	TWSD25	TWLC30
3-1/2"	2-3/4"	4-1/4"	2-1/2"	10,000	13,600	TWSD11	TWLC15	TWSD25	TWLC30
				11,500	15,640	TWSD25	TWLC15	TWSD25	TWLC30
3-3/4"	3"	4-5/8"	2-3/4"	13,000	17,680	TWSD25	TWLC15	Please Inquire	TWLC30
4"				14,500	19,720	TWSD25	TWLC15	Please Inquire	
				15,500	21,080	TWSD25	TWLC30	Please Inquire	
4-1/4"	3-1/4"	5"	3"	16,500	22,440	TWSD25	TWLC30	Please Inquire	
				19,500	26,520	TWSD25	TWLC30	Please Inquire	
4-1/2"	3-1/2"	5-3/8"	3-1/4"	20,500	27,880	TWSD25	TWLC30	For	
				21,500	29,240	TWSD25	TWLC30	Higher	
4-3/4"	3-3/4"	5-3/4"	3-1/2"	24,500	33,320	TWSD25	TWLC30	Torque	
6-1/2"	4-1/4"			25,500	34,680	Please Inquire	TWLC30	Values	
				29,500	40,120	Please Inquire	Please Inquire		