



W061

Max Flow: 100 gpm (379 lpm)

W061 In-Line Cartridge Filters

Working Pressures to: 600 psi
4140 kPa
41.4 bar

Rated Static Burst to: 1500 psi
10,342 kPa
103 bar

Fatigue Pressure Rating: 300 psi
2070 kPa
21 bar

Flow Range To: 100 gpm
379 lpm



Applications

- In-Plant Systems
- Meets HF3 Specification
- Mobile Equipment

Features

The W061 filter assembly contains the popular HF3 filter. Quick filter change outs are accomplished with the use of our easily serviceable ring assembly. Donaldson DT high-performance 4-layer media is offered in a variety of designs. Five different media grades are offered. Donaldson filters core collapse options range from 150 to 3,000 psi. The differential pressure indicator line is designed to work with a wide assortment of bypass valves. Thermal lockout and surge control are two key features incorporated in many of the differential pressure indicators.

- Assembly length code 2 conforms to HF3 specifications
- Wide range of indicator options
- Three housing length options for design flexibility
- Head material: cast iron
- Housing material: steel
- Bleed plug in head

Beta Rating

- Performance to $\beta_{<4(c)}=1000$

Porting Size Options

- SAE-12, SAE-16 O-ring

Replacement Filter Lengths

- 4.59" / 116.7 mm
- 8.22" / 208.8 mm
- 12.91" / 327.8 mm

Filter Collapse Ratingsz

- 150 psi / 1034 kPa / 10.3 bar (standard)

Standard Bypass Ratings

- 25 psi / 173 kPa / 1.73 bar
- 50 psi / 345 kPa / 3.5 bar
- No Bypass

Assembly Weight

- 4.59": 7.9 lbs / 3.6 kg
- 8.22": 8.9 lbs / 4.0 kg
- 12.91": 10.2 lbs / 4.6 kg

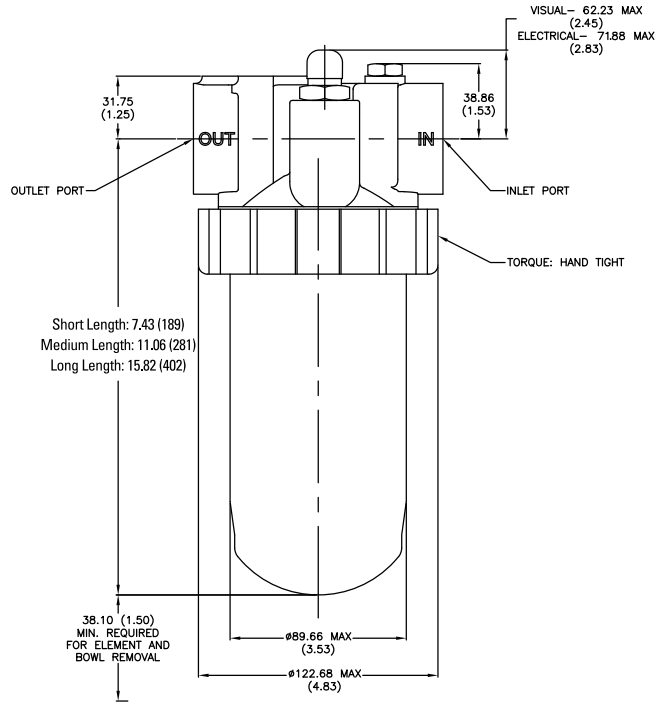
Operating Temperatures

- -20° to 250°F (-29° to 121°C)

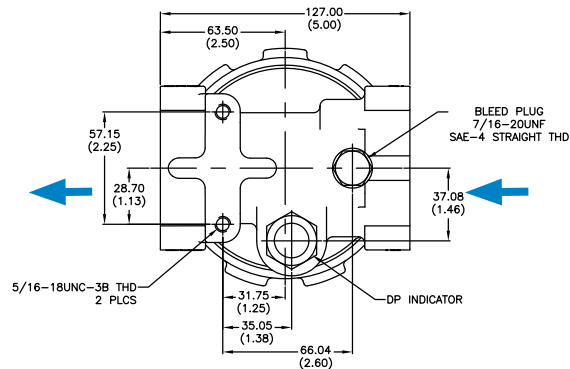
W061 Specification Illustrations

All dimensions are shown in millimeters [inches].

Assembly - Side View



Head - Top View





W061

Max Flow: 100 gpm (379 lpm)



W061 Components

High-Performance DT Filter Choices

Media Type	$\beta_{x(c)} = 2$ Rating based on ISO 16889	$\beta_{x(c)} = 1000$	Length in mm	Donaldson Part No.	Comments
DT Synteq Synthetic	<4 μ m	4.59	117	P566204	DT-9600-4-2UM
	5 μ m	4.59	117	P566205	DT-9600-4-5UM
	8 μ m	4.59	117	P566206	DT-9600-4-8UM
	12 μ m	4.59	117	P566207	DT-9600-4-14UM
	23 μ m	4.59	117	P566208	DT-9600-4-25UM
	5 μ m	4.59	117	P566364	DT-9601-4-5UM, High collapse
	12 μ m	4.59	117	P566365	DT-9601-4-14UM, High collapse
	<4 μ m	8.22	209	P566209	DT-9600-8-2UM
	5 μ m	8.22	209	P566210	DT-9600-8-5UM
	8 μ m	8.22	209	P566211	DT-9600-8-8UM
	12 μ m	8.22	209	P566212	DT-9600-8-14UM
	23 μ m	8.22	209	P566213	DT-9600-8-25UM
	5 μ m	8.22	209	P566366	DT-9601-8-5UM, High collapse
	12 μ m	8.22	209	P566367	DT-9601-8-14UM, High collapse
	<4 μ m	8.23	209	P567875	DX2-9600-8-2UM
	5 μ m	8.23	209	P565122	DX2-9600-8-5UM
	8 μ m	8.23	209	P565123	DX2-9600-8-8UM
	12 μ m	8.23	209	P564936	DX2-9600-8-14UM
	<4 μ m	12.91	328	P566214	DT-9600-13-2UM
	5 μ m	12.91	328	P566215	DT-9600-13-5UM
	8 μ m	12.91	328	P566216	DT-9600-13-8UM
	12 μ m	12.91	328	P566217	DT-9600-13-14UM
	23 μ m	12.91	328	P566218	DT-9600-13-25UM
	5 μ m	12.87	327	P566368	DT-9601-13-5UM, High collapse
	12 μ m	12.87	327	P566369	DT-9601-13-14UM, High collapse
	<4 μ m	12.87	327	P567876	DX2-9600-13-2UM
	5 μ m	12.87	327	P565188	DX2-9600-13-5UM
	8 μ m	12.87	327	P565189	DX2-9600-13-8UM
	12 μ m	12.87	327	P565187	DX2-9600-13-14UM
Water	10 μ m	8.23	209	P569528	Absorbs 130 ml water @ 25 psid
Absorbing	10 μ m	12.87	327	P569529	Absorbs 220 ml water @ 25 psid



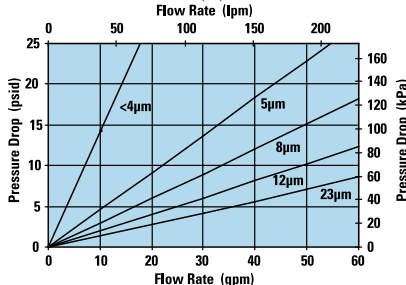
Filter Notes:

- All Donaldson DT and DX2 filters utilize glass fiber media with an epoxy-based resin system for the ultimate in chemical compatibility.
- All Donaldson DT and DX2 filters are potted with epoxy-based adhesives.
- Standard collapse DT designs are double wire-backed using epoxy-coated steel mesh for maximum pleat support and dirt capacity.
- DT high collapse designs are potted into machined aluminum end caps for greater filter integrity in critical applications.
- Viton® seals are standard on all Donaldson DT and DX2 filters.

Performance Data

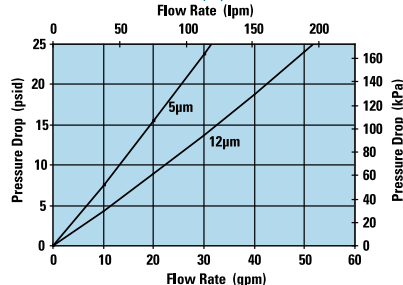
W061 4" DT Filter Only

DT-9600-4, 4"/102mm

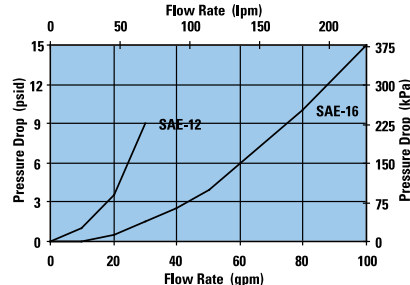


W061 4" DT Filter Only

DT-9601-4, 4"/102mm

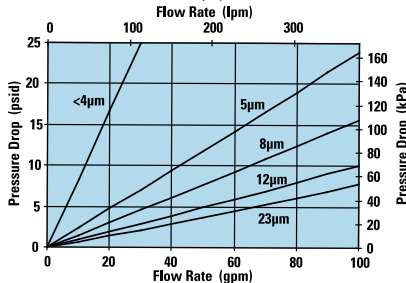


W061 Housing Only



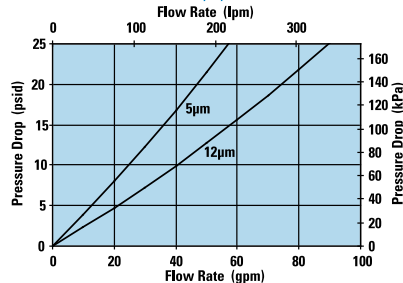
W061 8" DT Filter Only

DT-9600-8, 8"/203mm



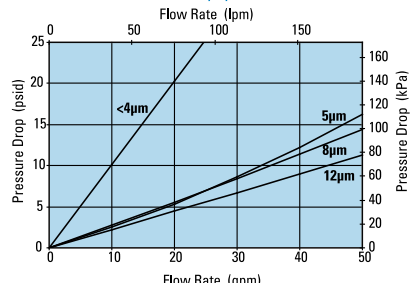
W061 8" DT Filter Only

DT-9601-8, 8"/203mm



W061 8" DX2 Filter Only

DX2-9600-8, 8"/203mm





Head Assembly Choices

Port Size	Bypass Rating	Seal Material	Indicator Style & Location	Donaldson Part No.
SAE-12 O-Ring	50 psi / 3.45 bar	Buna-N	Port Machined & Plugged	P574242
SAE-16 O-Ring	50 psi / 3.45 bar	Buna-N	Port Machined & Plugged	P574243
SAE-16 O-Ring	25 psi / 1.72 bar	Viton	Port Machined & Plugged	P575929

Housing Choices

Housing Length	Seal Material	Donaldson Part No.
4" (101.6mm)	Buna-N	X011115
8" (203.2mm)	Buna-N	X011111
13" (330.2mm)	Buna-N	X011117

Indicator Choices

Indicator Pressure Setting	Connector Style	Seal Material	Donaldson Part No.	Thermal Lockout	Surge Control	Reset
Visual Pop-up Models						
15 psi / 103 kPa	NA	Buna-N	P572345	No	No	Auto
35 psi / 241 kPa	NA	Buna-N	P572347	No	No	Auto
35 psi / 241 kPa	NA	Buna-N	P572348	Yes	Yes	Manual
35 psi / 241 kPa	NA	Viton	P567456	Yes	Yes	Manual
Electrical / Visual Models						
15 psi / 103 kPa	Hirschman	Buna-N	P572323	No	No	Auto
35 psi / 241 kPa	Hirschman	Buna-N	P572327	No	No	Auto
35 psi / 241 kPa	Brad Harrison	Buna-N	P572329	No	No	Auto
35 psi / 241 kPa	Hirschman	Buna-N	P572384	Yes	Yes	Manual
35 psi / 241 kPa	Hirschman	Viton	P567458	Yes	Yes	Manual
15 psi / 103 kPa	3 wire flying leads	Buna-N	P572342	No	No	Auto
35 psi / 241 kPa	3 wire flying leads	Buna-N	P572349	No	No	Auto
Electrical Models						
15 psi / 103 kPa	Hirschman	Buna-N	P572355	No	No	Auto
35 psi / 241 kPa	Hirschman	Buna-N	P572359	No	No	Auto
35 psi / 241 kPa	Brad Harrison	Buna-N	P572361	No	No	Auto

Head/Bowl/Housing Seal Kits

Donaldson Part No.	Material
X011160	Buna
X011161	Viton

