



**SRK Combo**

Max Flow: 79 gpm (300 lpm)



## SRK Suction/Return Combination In-Tank Filters

**Working Pressures to:** 145 psi  
1000 kPa  
10.0 bar

**Rated Static Burst to:** 217 psi  
1497 kPa  
15.0 bar

**Flow Range to:** 79 gpm  
300 lpm

### Applications

- Hydrostatic Transmissions
- Mobile Equipment



### Features

The SRK tank-mounted suction and return filter is a popular choice for hydrostatic transmissions. The filtered flow is maintained at a slight backpressure to provide clean, pressurized oil, mainly for charge pumps in hydrostatic transmission systems. The pressurized flow is designed to reduce cavitation risks. This patented design uses an integrated main flow and bypass flow filter filter, which is capable of delivering filtered and pressurized oil, even in bypass situations. Emergency suction flow is also filtered. The SRK operates in a standard flow (outside to inside) configuration. SAE O-Ring ports are standard to meet popular application requirements.

- 4-point mounting
- Housing material: steel
- Buna-N® seals standard
- Head material: aluminum
- Cover material: glass-filled nylon
- Main filters include integrated bypass filters

Buna-N® is a registered trademark of E. I. DuPont de Nemours and Company.

### Beta Rating (per ISO 16889)

- Performance to  $\beta_{13(c)} = 1000$

### Porting Size Options

- Inlet: SAE-16, SAE-20 O-ring
- Outlet: SAE-16 O-Ring

### Replacement Filter Lengths

- 18.6" / 472 mm

### Standard Bypass Ratings

- 36 psi / 250 kPa / 2.5 bar

### Standard Backpressure Ratings

- 7.3 psi / 50 kPa / 0.5 bar

### Assembly Weight

- 10.8 lbs / 4.9 kg

### Operating Temperatures

- -22°F to 212°F / -30°C to 100°C

### Filter Collapse Ratings

- 145 psid / 1000 kPa / 10 bar

### Return Flow Rate

- 79 gpm (300 lpm)

### Emergency Suction Flow Rate

- 27 gpm (100 lpm)



## SRK Filter Assemblies

Donaldson Part No.	Inlet Port Connections	Outlet Port Connections	Bypass Valve	Emergency Suction	Comments
K041634	SAE-20 & SAE-16	(2) - SAE-16	36 psi (2.5 bar)	125 µm Wire Mesh	Indicator not included

## Filter Choices

Media Type	$\beta_{x(c)} = 1000$ Rating based on ISO 16889	Length		Donaldson Part No.	Bypass	Comments
		in	mm			
Synteq Synthetic	13 µm	18.6	472	P765457	125 µm Wire	For Combo 300 Assemblies

- Standard collapse designs are double wire-backed using epoxy-coated steel mesh for maximum pleat support and dirt capacity.
- All SRK filters are standard flow (outside to inside).
- Buna-N seals are standard on all SRK filters.

## Suction Filter Choices

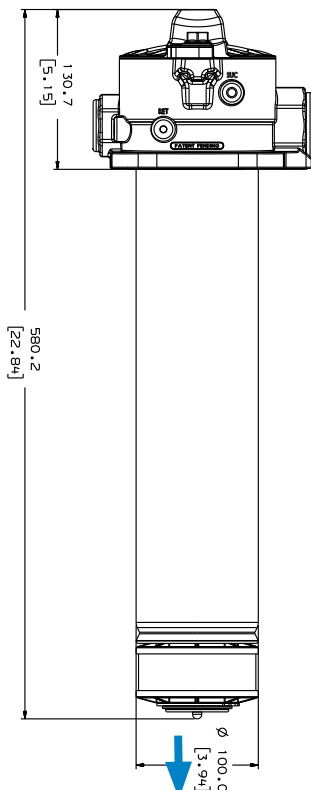
Media Type	$\beta_{x(c)} = 2$ Rating based on ISO 16889	Length		Donaldson Part No.
		in	mm	
Wire Mesh	125 µm	1.98	50.2	P764183

## Indicator Options

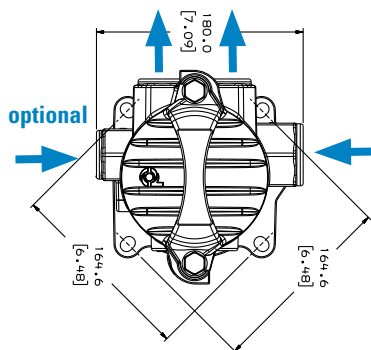
Donaldson Part No.	Set Point	Style	Connection
P764467	36 psi (2.5 bar)	30 VDC, N.O.	G1/8"
P764613	36 psi (2.5 bar)	30 VDC, N.C.	G1/8"
P764612	36 psi (2.5 bar)	Visual	G1/8"

## Assembly - Side View

All dimensions are shown in millimeters [inches].

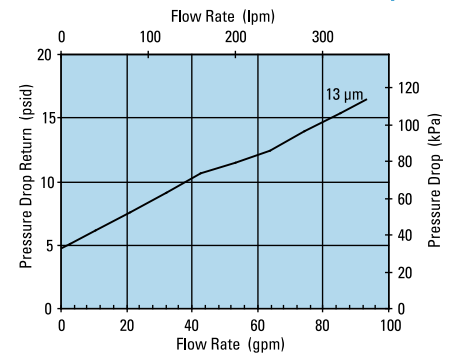


## Head - Top View



## Performance Data

SRK Suction / Return Combo Assembly



## Flow Schematic

