

FLS

HYDRAULIC FLANGE

SPREADER



Basic FLS15 Unit With Serrated Shoes

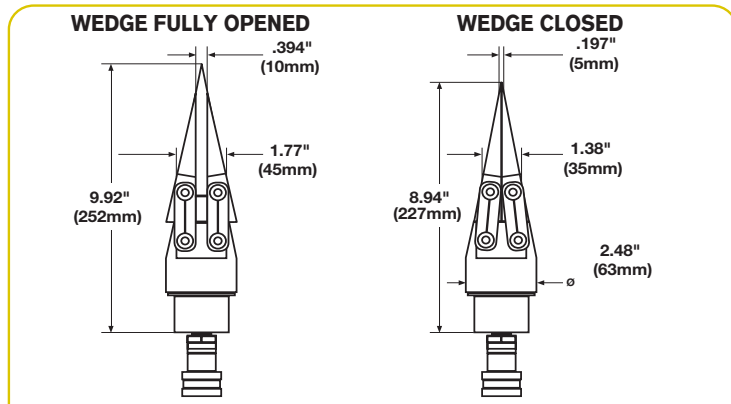
FEATURES AND BENEFITS:

- 33,000 Pound (15 Metric Ton) Wedge-Driven Spreader
- Jaws Fully Supported by Wedge for Excellent Durability
- Low Friction Provided by Heavy-Duty Extended-Life Lubricant
- Ideal for Flanges With Narrow Gaps - Only .2 Inches (5 mm) Required for Entry
- Very High Strength due to Special Alloy Used
- Compact and Lightweight Design - Only 9.9 Inches (252 mm) Long at a Weight of 7 Pounds (3.2 kg)
- Easy to use - Ergonomically Balanced Handle and Gripping Tape
- Suitable for the Offshore Environment due to Superior Corrosion Resistance
- Quick Adjustments for Various Tasks due to Interchangeable Shoes (Both Stepped and Serrated)
- Easy and Quick Maintenance - No Special Tools Required
- Includes female half coupler - mates to standard 9798 male half coupler.

OFFSHORE AND TOPSIDE FLANGE KITS ARE AVAILABLE



Visit powerteam.com to learn more about our expansive range of packaged flange spreader kits.



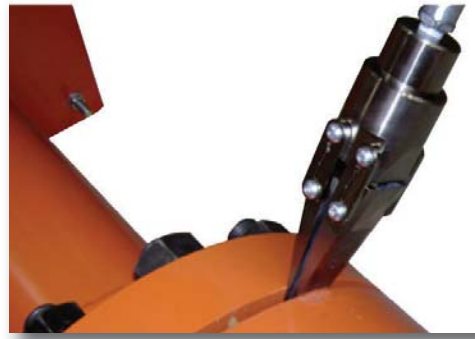
Order Number	Shoe Type	Spread Fore	Min. Tip Clearance	Max. Tip Spread	Spreader Type	Oil Capacity	Weight	Max. Pressure
		Metric Tons (lb)	In. (mm)	In. (mm)		In ³ (cc)		psi (bar)
FLS15	Serrated	15 (33,000)	.197 Inches	.397 Inches	Hydraulic	1 (16 cc)	7 Pounds	10,000 (700 bar)
FLS15-ST	Stepped	15 (33,000)	(5 mm)	(10 mm)	Hydraulic	1 (16 cc)	(3.2 kg)	10,000 (700 bar)

HYDRAULIC SPREADER FLS15

This hydraulic spreader operates using the integrated wedge concept. It is ideal for creating space for flange surface cleaning and repair, and for gasket replacement. The spreader is single-acting, and requires a hydraulic pump with a three-way valve for actuation. Maximum operating pressure is 10,000 psi (700 bar).

SPREADING FORCE:

Maximum 33,000 pounds (15 metric tons) per tool at 10,000 psi (700 bar). It is recommended that the tools be used in pairs, providing a maximum combined force of 66,000 pounds (30 metric tons).



TYPICAL APPLICATIONS:

- Pipe and flange repair
- Removing elbows
- Couplers - gasket and metal seal Replacement
- Heavy equipment maintenance

OTHER OPTIONAL ACCESSORIES



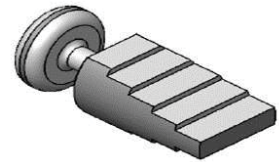
Handle
No. 2008410



Stepped Shoe
No. 2008083*



Serrated Shoe
No. 2008082*



Stepped Block
No. SB15 (1 pc)

**Part number is for one shoe only. Two shoes required per spreader.*

RECOMMENDED COMPONENTS FOR A COMPLETE HYDRAULIC CIRCUIT



Pump



Coupler



Hose



Gauge



Gauge Adapter



RECOMMENDED COMPONENTS		
Description	Part Number (Americas & Asia)	Part Number (Europe)
Two Speed, Single-Acting Hand Pump	P19L	P19L
Hydraulic Hose Assembly	9764	9764E
Pressure Gauge	9040	9040E
Gauge Adapter	9670	9670
Coupler (male half coupler)	9798	9798

Note: Torque wrench tools use smaller couplers. Do not attempt to use torque wrench hoses with this tool.