



HRK10

Max Flow: 300 gpm (1135 lpm)



HRK10 In-Line Cartridge Filters



Working Pressures to: 150 psi
1035 kPa
10.3 bar

Rated Static Burst to: 500 psi
3450 kPa
34.5 bar

Flow Range to: 300 gpm
1135 lpm

Features

The HRK10 high flow filter combines the best features of its predecessor, the HEK11: ANSI inlet port options, top cover filter servicing for ease of maintenance, and a selection of service indicators. The HRK10 all-steel housing design provides a strong, durable, and dependable unit. It offers standard features like deep pleat filters for higher dirt holding capacity and standard Donaldson DT 4-layer media filter construction. This technology, combined with many other standard features, is ideal for today's applications in pulp and paper, power generation and steel mill applications. Five standard grades of media are offered. A port for an electrical indicator is incorporated into the differential indicator block.

- Robust "Twist & Lift" cover for simplified servicing
- Multiple bypass valve design assures proper operation
- Wide variety of bypass valve ratings
- Reverse flow (inside to outside) filters for positive contamination containment
- Fluorocarbon seals standard
- Housing & cover material: steel
- Drain plug in bottom
- Bleed valve in cover
- Fill plug in cover

Beta Rating (per ISO 16889)

- Performance to $\beta_{<4(c)} = 1000$

Porting Size Options

- 4" ANSI Flange, 8-bolt 150#

Replacement Filter Lengths

- 21.99" / 559 mm

Filter Collapse Ratings

- 100 psid / 689 kPa / 6.9 bar

Standard Bypass Ratings

- 5 psi / 34.5 kPa / 0.34 bar
- 25 psi / 172 kPa / 1.7 bar
- 50 psi / 345 kPa / 3.4 bar
- No Bypass

Assembly Weight

- 140 lbs / 64 kg

Operating Temperatures

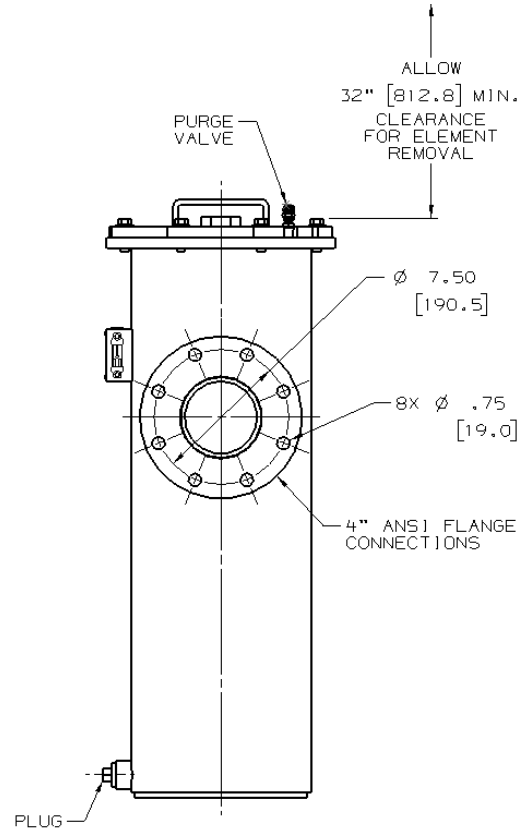
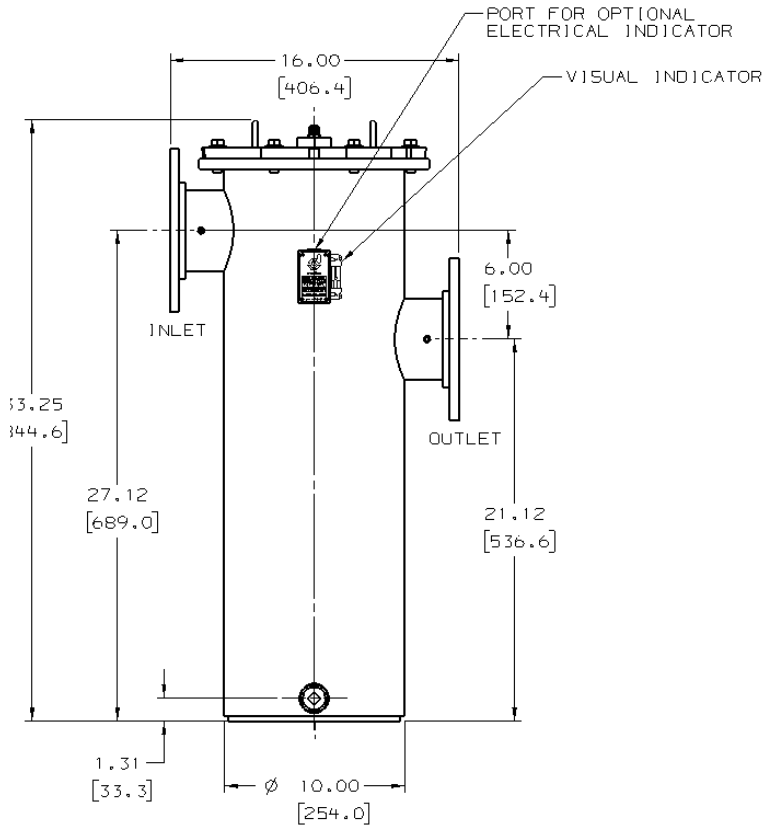
- -20°F to 250°F (-29° to 121°C)



HRK10 Specification Illustrations

All dimensions are shown in inches [millimeters].

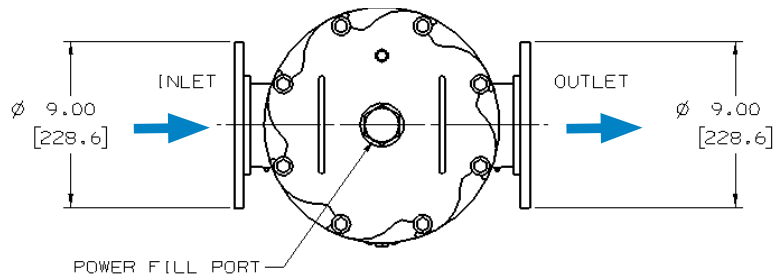
Assembly - Side View



Applications

- Fluid Conditioning Systems
- In-Plant Systems
- Lube Oil Systems
- Side Loop Systems

Head - Top View





HRK10
Max Flow: 300 gpm (1135 lpm)



HRK10 Components

Housing Choices

NOTE: FILTERS ORDERED SEPARATELY. See below for filter options.

Part No.	Port Connections	Bypass Valve	Indicator Options
K100001	4" ANSI Flange	No bypass	Visual standard, electrical optional
K100002	4" ANSI Flange	5 psi (0.34 bar) bypass	Visual standard, electrical optional
K100003	4" ANSI Flange	25 psi (1.7 bar) bypass	Visual standard, electrical optional
K100004	4" ANSI Flange	50 psi (3.4 bar) bypass	Visual standard, electrical optional

Electrical Indicator Options

Part No.	Set Point	Bypass Valve
P173944	20 psi (1.4 bar)	AC/DC, 3-wire
P174396	40 psi (2.8 bar)	AC/DC, 3-wire

Filter Choices

Media Type	$\beta_{x(c)} = 2$ Rating based on ISO 16889	$\beta_{x(c)} = 1000$	Length in mm	Donaldson Part No.	Comments
Synteq Synthetic	<4 μm	21.99	559	P566187	Replaces old HEK11 filter P163472
	5 μm	21.99	559	P566188*	
	8 μm	21.99	559	P566189	Replaces old HEK11 filter P176417** or P176223***
	12 μm	21.99	559	P566190	Replaces old HEK11 filter P165449
	23 μm	21.99	559	P566191	Replaces old HEK11 filter P164707
Water Absorbing	10 μm	21.99	559	P569531	Absorbs approximately 60 oz/1800 ml water @ 25 psid/1.72 bar
Wire Mesh	150 μm	21.99	559	P566192	Replaces old HEK11 filter P160078

Use HRK10 in place of previous HEK11 housings.

For better performance use HRK10 filters in existing HEK11 housings.

* Utilizes DT Synteq synthetic media

** 9 μm rating

*** 10 μm rating

Filter Notes:

All $\beta=1000$ filters utilize glass fiber media with an epoxy-based resin system for the ultimate in chemical compatibility.

All Donaldson HRK10 filters are potted with epoxy-based adhesives.

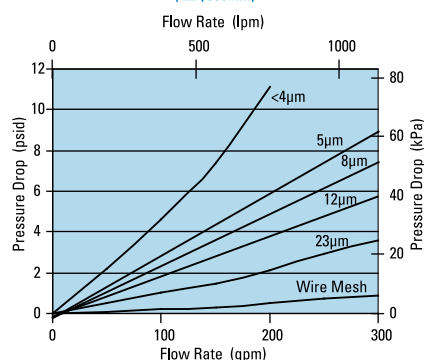
All HRK10 filters are reserve flow (inside to outside), keeping contaminants contained during servicing.

Viton® seals are standard on all HRK10 filters. Viton® is a registered trademark of E. I. DuPont de Nemours and Company.

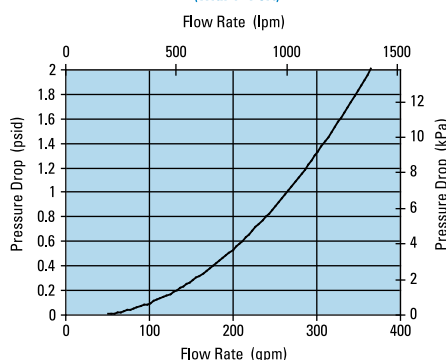


Performance Data

HRK10 Filter Only
(22"/559mm)



HRK10 Housing Only
(with 4" Port)



HRK10 Service Parts

SERVICE PARTS NOTE:

Some service parts may not be stocked. Please contact your Donaldson sales representative for lead time details.

