



HPK03
Max Flow: 60 gpm (227 lpm)



HPK03 In-Line Cartridge Filters

Working Pressures to: 3000 psi
20,700 kPa
206.9 bar

Rated Static Burst to: 6000 psi
41,400 kPa
413.8 bar

Flow Range To: 60 gpm
227 lpm



Features

The sturdy HPK03 filter is constructed of ductile iron for durability in high pressure applications. Standard housing drain plug means simplified servicing. Housing includes a fluoroelastomer head-to-housing seal. Meets HF3 specification.

Take advantage of our mix and match system of in-stock heads and cartridges—so you can get exactly what you need. HPK03 is available with your choice of visual or AC/DC electrical indicators. Likewise, choose the bypass option that's right for your application—50 psi (3.5 bar) or no bypass. Seals made of fluorocarbon (such as Viton® and Fluorel®) or Buna-N are available with HPK03.

All HPK03 filters contain Synteq™, our synthetic filter media designed especially for hydraulic filtration. Upgraded Donaldson DT filters are also offered for superior performance.

Viton® is a registered trademark of E. I. DuPont de Nemours and Company.
Fluorel® is a registered trademark of 3M Company.

Beta Rating

- Performance to $\beta_{<4(c)} = 1000$

Porting Size Options

- SAE-12, SAE-16 O-ring

Replacement Filter Lengths

- 8.22" / 208.8mm

Assembly Weight

- 26 lbs / 11.8 kg

Standard Bypass Ratings

- 50 psi / 345 kPa / 3.5 bar
- No Bypass

Operating Temperatures

- -20°F to 250°F / -29°C to 121°C

Filter Collapse Ratings

- 200 psi / 1380 kPa / 13.8 bar (standard)
- 3000 psi / 20,700 kPa / 206.9 bar (high collapse)

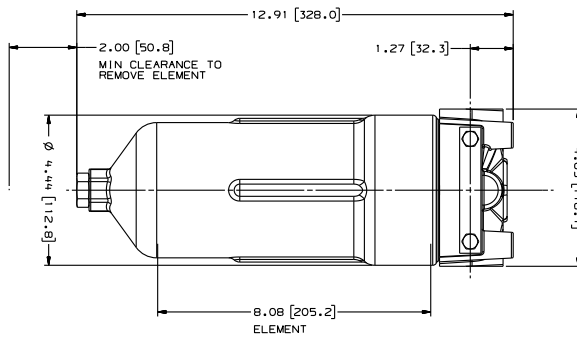
HPK03 Specification Illustrations

All dimensions are shown in inches [millimeters].

Applications

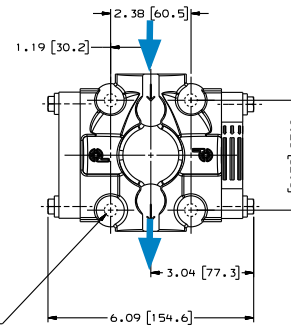
- High Pressure Circuits
- In-Plant Systems
- Meets HF3 Specification
- Mobile Equipment
- Servo Valve Circuits

Assembly - Side View

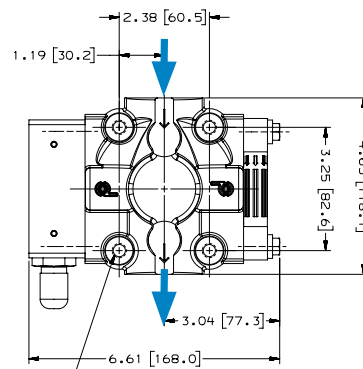
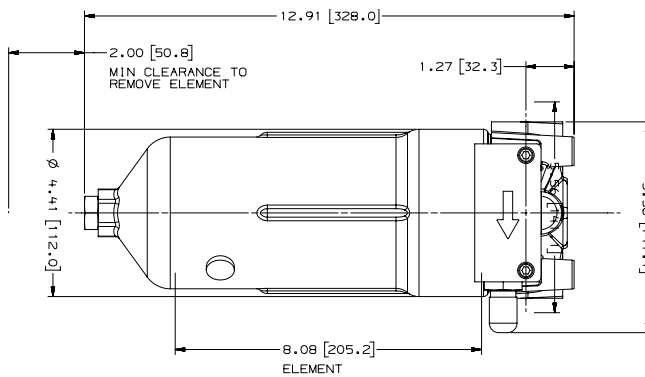


3/8-16 UNC-2B x .69 [17.5]
MIN FULL THD 4 PLACES

Head - Top View

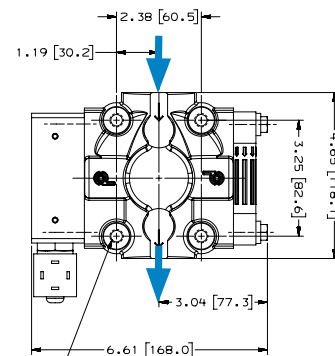
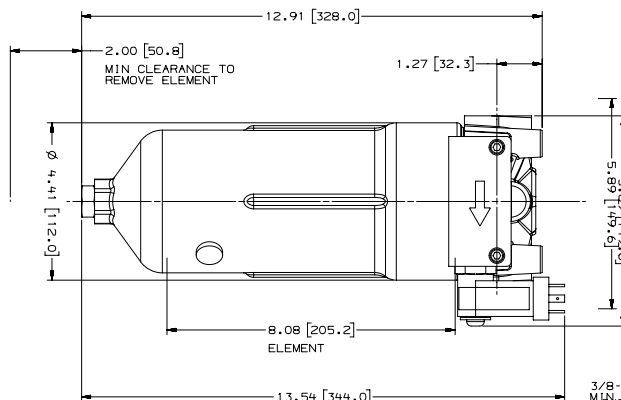


HPK03 with Visual Service Indicator



3/8-16 UNC-2B x .69 [17.5]
MIN FULL THD 4 PLACES

HPK03 with AC/DC Electrical Service Indicator



3/8-16 UNC-2B x .69 [17.5]
MIN FULL THD 4 PLACES



HPK03 Components

High-Performance DT Filter Choices

| Media Type | $\beta_{x(c)} = 1000$ Rating based on ISO 16889 | Length | | Donaldson Part No. | Comments |
|------------|--|--------|-----|--------------------|-------------------------------|
| | | in | mm | | |
| DT Synteq | <4 μm | 8.22 | 209 | P566209 | DT-9600-8-2UM |
| Synthetic | 5 μm | 8.22 | 209 | P566210 | DT-9600-8-5UM |
| | 8 μm | 8.22 | 209 | P566211 | DT-9600-8-8UM |
| | 12 μm | 8.22 | 209 | P566212 | DT-9600-8-14UM |
| | 23 μm | 8.22 | 209 | P566213 | DT-9600-8-25UM |
| | 5 μm | 8.19 | 208 | P566366 | DT-9601-8-5UM, High collapse |
| | 12 μm | 8.19 | 208 | P566367 | DT-9601-8-14UM, High collapse |
| | <4 μm | 8.22 | 209 | P567875 | DX2-9600-8-2UM |
| | 5 μm | 8.22 | 209 | P565122 | DX2-9600-8-5UM |
| | 8 μm | 8.22 | 209 | P565123 | DX2-9600-8-8UM |
| | 12 μm | 8.22 | 209 | P564936 | DX2-9600-8-14UM |



Filter Notes

All Donaldson DT and DX2 filters utilize glass fiber media with an epoxy-based resin system for the ultimate in chemical compatibility. All Donaldson DT and DX2 filters are potted with epoxy-based adhesives. DX2 filters utilize nylon mesh for pleat support. Standard collapse DT designs are double wire-backed using epoxy-coated steel mesh for maximum pleat support and dirt capacity. High collapse designs are double wire-backed using stainless steel mesh. High collapse designs are also potted into machined aluminum endcaps for greater filter integrity in critical applications. Viton® seals are standard on all Donaldson DT and DX2 filters. Viton® is a registered trademark of E. I. DuPont de Nemours and Company.

Standard Filter Choices

| Media Type | $\beta_{x(c)} = 2$ Rating based on ISO 16889 | $\beta_{x(c)} = 1000$ | Length | | Donaldson Part No. | Comments |
|------------------|---|-----------------------|--------|-----|--------------------|--|
| | | | in | mm | | |
| Synteq Synthetic | | 5 μm | 8.22 | 209 | P167185* | Viton®, High collapse for no bypass applications |
| | | 6 μm | 8.22 | 209 | P164594 | Buna-N |
| | | 11 μm | 8.22 | 209 | P164166 | Buna-N |
| | | 12 μm | 8.22 | 209 | P167186* | Viton, High collapse for no bypass applications |
| | | 23 μm | 8.22 | 209 | P164174 | Buna-N |
| | | 50 μm | 8.22 | 209 | P165319 | Buna-N |
| Water Absorbing | 10 μm | | 8.22 | 209 | P569528 | |
| Wire Mesh | 75 μm | | 8.22 | 209 | P162233 | |

Filter Notes

* Utilizes DT Synteq synthetic media
SEALS: Filters with seals made of Buna-N® are appropriate for most applications involving petroleum oil. Filters with seals made of Viton® (a fluor elastomer) are required when using diester, phosphate ester fluids, water glycol, water/oil emulsions, and HWCF (high water content fluids) over 150°F/83°C. Refer to table in the Technical Reference Guide for fluid compatibility with our filter media. Donaldson high collapse filters are physically designed to withstand up to 3000 psi / 20,700 kPa before collapsing. The Viton® high collapse filter versions also use epoxy potting and media seam seals for added chemical compatibility. Viton® and Buna-N® registered trademarks of E. I. DuPont de Nemours and Company.





Housing Choices

| Length | Part No. |
|------------------------|----------|
| 8.22" (208.8mm) filter | P179579 |

The **P179579** housing is 10.73 inches (273mm) long and accepts the filter that is 8.22 inches (208.8mm) long. It includes a head-to-housing seal.

Head Choices

| Port Size | Bypass Rating | Indicators ¹ | Part No. |
|---------------|------------------|-----------------------------|----------|
| SAE-16 O-Ring | 50 psi / 3.5 bar | Visual indicator, left side | P166353 |
| SAE-12 O-Ring | 50 psi / 3.5 bar | Visual indicator, left side | P170489 |
| SAE-12 O-Ring | No bypass | Visual indicator, left side | P170491 |

Notes

¹Donaldson uses the inlet port as the reference point. "Left side," for instance, means that the indicator mounts on the side of the filter head that is on your left when you face the inlet port.

Service Indicator Kits

All kits include indicator with mounting block

| Part No. | Use with Bypass Valve Pressure of: | Description |
|---|------------------------------------|---|
| Visual Service Indicators | | |
| P569632 | 50 psi / 3.5 bar | 35 psi/2.4 bar indicator kit auto reset pop-out button |
| P569633 | 90 psi / 6.2 bar | 70 psi/4.8 bar indicator kit auto reset pop-out button |
| P567988 | 50 psi / 3.5 bar | 35 psi/2.4 bar indicator kit auto reset pop-out button with thermal lockout and surge control |
| P567989 | 90 psi / 6.2 bar | 70 psi/4.8 bar indicator kit* auto reset pop-out button with thermal lockout and surge control |
| AC/DC Visual/Electrical Service Indicators | | |
| P569634 | 50 psi / 3.5 bar | 35 psi/2.4 bar indicator kit Hirschmann receptacle 115 VAC/28 VDC, 2 amps |
| P569635 | 90 psi / 6.2 bar | 70 psi/4.8 bar indicator kit Hirschmann receptacle 115 VAC/28 VDC, 2 amps |
| P567986 | 50 psi / 3.5 bar | 35 psi/2.4 bar indicator kit with thermal lockout and surge control, Hirschmann receptacle, 115 VAC/28 VDC, 2 amps, 4 pin DIN 43650 |
| P567987 | 90 psi / 6.2 bar | 70 psi/4.8 bar indicator kit with thermal lockout and surge control, Hirschmann receptacle, 115 VAC/28 VDC, 2 amps, 4 pin DIN 43650 |

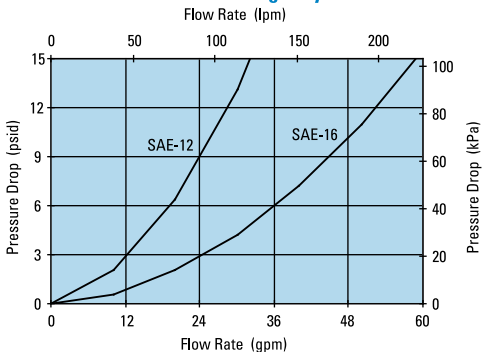
Indicator Choices

| Part No. | Description |
|-----------------------------------|---|
| Replacement Indicator Only | |
| P567458 | Visual/Electrical indicator with thermal lockout and surge, 35 psid/2.4 bar |
| P567459 | Visual/Electrical indicator, with thermal lockout and surge 70 psid/4.8 bar |
| P567456 | Pop-Up Visual Indicator, with thermal lockout and surge 35 psid/2.4 bar |
| P567457 | Pop-Up Visual Indicator, with thermal lockout and surge 70 psid/4.8 bar |
| P569636 | Pop-Up Visual Indicator, 35 psid/2.4 bar |
| P569637 | Pop-Up Visual Indicator, 70 psid/4.8 bar |
| P569638 | Visual/Electrical Indicator, 35 psid/2.4 bar |
| P569639 | Visual/Electrical Indicator, 70 psid/4.8 bar |
| P164315 | Visual Indicator, bar style, 35 psid/2.4 bar |
| P166603 | Visual Indicator, bar style, 70 psid/4.8 bar |
| P166134 | Blanking plate |
| Indicator Mounting Block | |
| P573495 | Mounting Block Assembly |

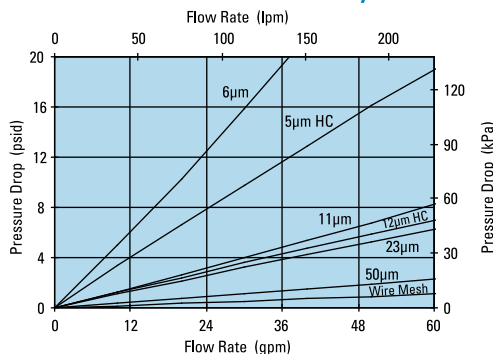


Performance Data

HPK03 Housing Only

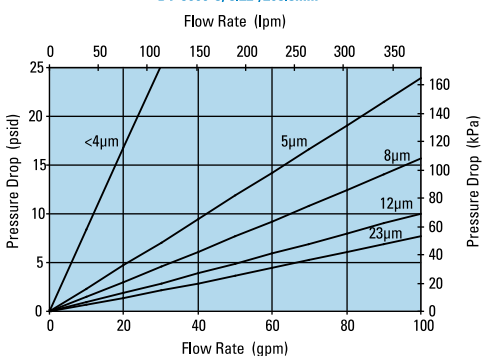


HPK03 8" Standard Filter Only



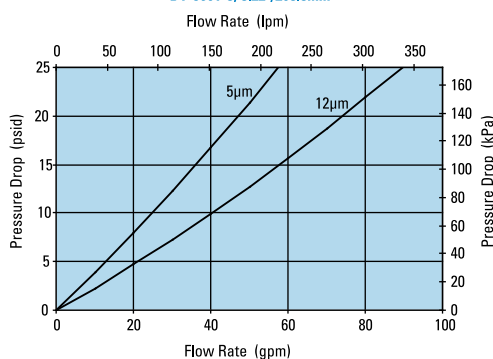
HPK03 8" DT Filter Only

DT-9600-8, 8.22"/208.8mm



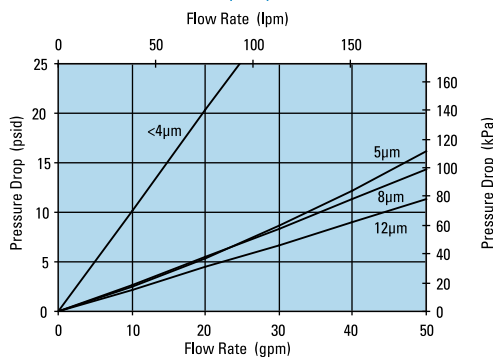
HPK03 8" DT Filter Only

DT-9601-8, 8.22"/208.8mm



W350 8" DX2 Filter Only

DX2-9600-8, 8.22"/208.8mm





HPK03 Service Parts

SERVICE PARTS NOTE:

Some service parts may not be stocked. Please contact your Donaldson sales representative for lead time details.

