

FLK90 In-Line Cartridge Filters

Working Pressures to: 580 psi
4002 kPa
40 bar

Rated Static Burst to: 2000 psi
13,790 kPa
138 bar

Flow Range To: 40 gpm
151 lpm



IMPORTANT SERVICE INSTRUCTIONS:

To prevent thread damage when installing new filter, fully lubricate the entire thread and o-ring surface with a Molybdenum-containing gear oil or anti-seize paste such as Schaeffer #214S Supreme One 80W-140 gear oil or Dow Corning Molykote P-37 anti-seize past.

Features

The FLK assembly is a robust, reusable housing and disposable cartridge design. The versatile FLK filter head accommodates multiple housing lengths. Industrial, raised hand grips make it easy to remove the housing from the head without the need for special servicing tools. The oil drain port on the bottom of the housing and the locking grab handles on the filter cartridge allow for cleaner, easier servicing. The filter tabs lock into place – simplifying positioning during reassembly. Short removal clearance is needed for filter replacement means the assembly can easily fit into tight spaces.

These assemblies utilize a unique sealing technology that protects systems from harmful ingressed contaminants and cross contamination of oil. The RadialSeal™ interface increases the surface area which provides a robust connection with superior vibration resistance, a common challenge in today's heavy-duty applications.

The FLK filters are offered with Synteq XP™ media, Donaldson's most advanced media technology. Each filter has extended surface area for advanced filtration performance. Synteq XP delivers better pressure drop and better contaminant holding capacity than standard filter media.

- Robust 4-point mount
- Oil drain port
- Optional 2-point mount
- Heads features: - one side machined/plugged for indicator

Beta Rating

- Performance to $\beta_{<6(c)} = 1000$

Porting Size Options

- SAE-12 O-ring
- SAE-16 O-ring

Replacement Filter Lengths

- 4.21" / 107 mm
- 8.23" / 209 mm

Standard Bypass Ratings

- 50 psi / 345 kPa / 3.5 bar
- No bypass

Assembly Weight

- Long Housing: 2.33 kg / 5.14 lbs
- Short Housing: 1.82 kg / 4.01 lbs

Operating Temperatures

- -40° to 250°F (-40° to 121°C)

Filter Collapse Ratings

- 145 psid / 1000 kPa / 10 bar (standard)

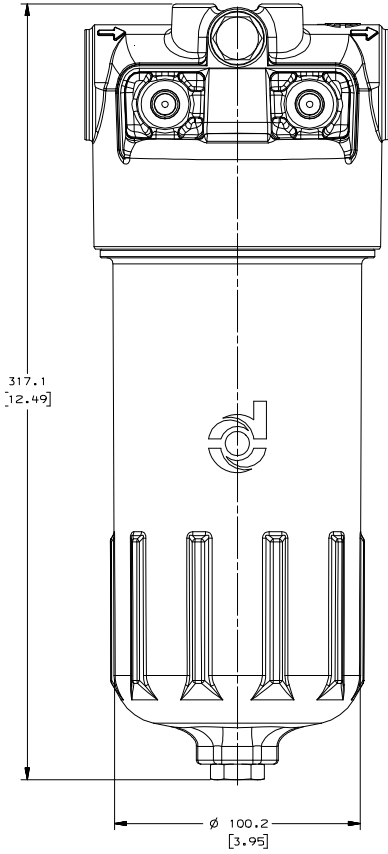


FLK90
Max Flow: 40 gpm (151 lpm)



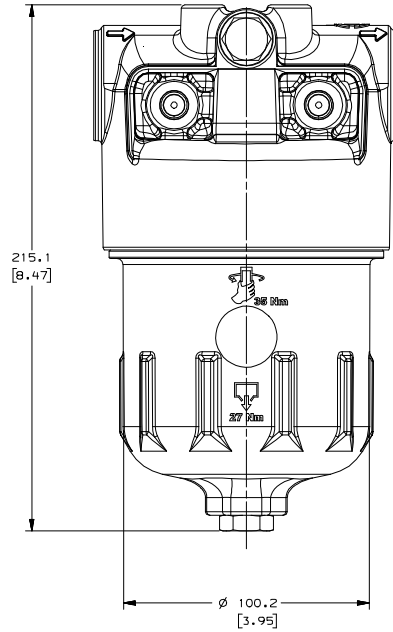
FLK Specification Illustrations

Long Assembly - Side View



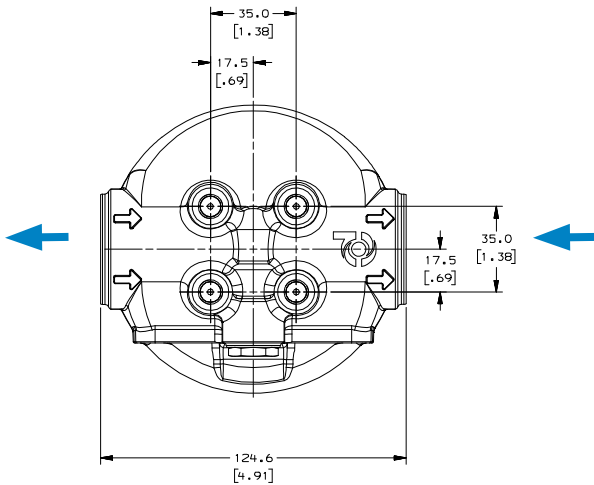
Minimum Service Clearance:
2.56" / 65mm

Short Assembly - Side View



Minimum Service Clearance:
2.56" / 65mm

Head - Top View





FLK90 Components

Head Choices

Part No.	Port Connections	Bypass Valve
P574994	SAE-12	50 psi (3.4 bar) bypass
P574995	SAE-12	No bypass
P574996	SAE-16	50 psi (3.4 bar) bypass
P574997	SAE-16	No bypass

Housing Choices

Part No.	Comments
P766990	Short length assembly
P766961	Long length assembly

Filter Choices

Media Type	$\beta_{x(c)} = 1000$ Rating based on ISO 16889	Length in mm	Donaldson Part No.
Short Length Assembly			
Synteq XP	6 μm	4.21 107	P767128
Synthetic	11 μm	4.21 107	P766987
	15 μm	4.21 107	P767129
Long Length Assembly			
Synteq XP	6 μm	8.23 209	P767130
Synthetic	11 μm	8.23 209	P766959
	15 μm	8.23 209	P767131

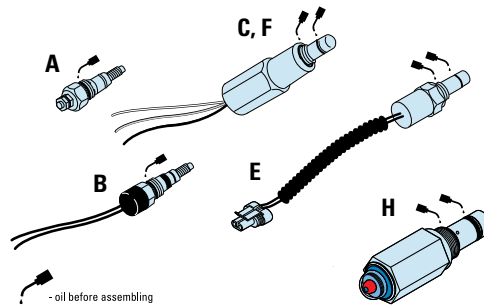
Service Indicator Choices

Use with Bypass Valve Pressure of:	Indicator Part No.	Style ²	Description
Electric Models¹			
50 psi / 345 kPa	P165194	A	Single post DC. N.O.
50 psi / 345 kPa	P574968	B	DC 2-wire.
50 psi / 345 kPa	P574967	E	DC 2-wire.
50 psi / 345 kPa	P575549	F	DC 3-wire.
50 psi / 345 kPa	P174396	C	AC/DC 3-wire.
25 psi / 172.5 kPa	P575334	H	Visual pop up
50 psi / 345 kPa	P575335	H	Visual pop up

Indicator Notes

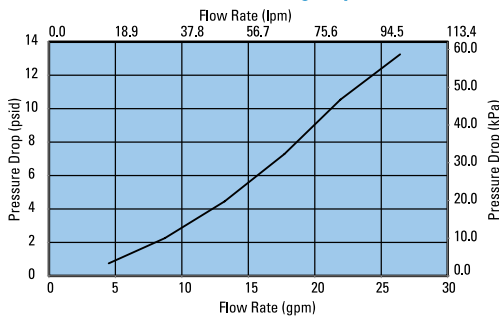
¹All electric models have a maximum operating temperature of 250°F / 121°C.

²Complete details on all service indicators can be found in the accessories section.

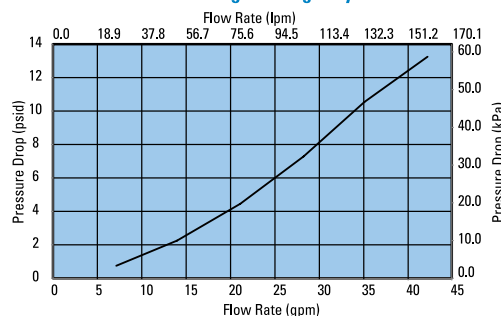


Performance Data

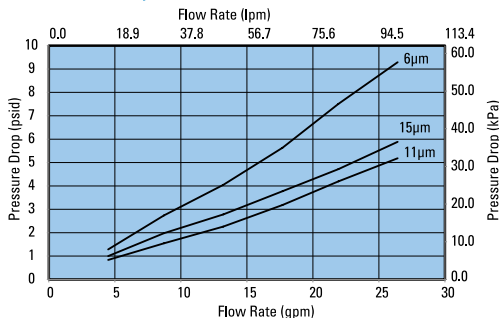
FLK90 Short Housing Only



FLK90 Long Housing Only



FLK90 Short Filter only
(Synthetic Media, 10.43"/265mm)



FLK90 Long Filter only
(Synthetic Media, 10.43"/265mm)

