



DPK350

Max Flow: 100 gpm (379 lpm)

DPK350 In-Line Cartridge Filters

Working Pressures to: 350 psi
2400 kPa
24 bar

Rated Static Burst to: 700 psi
4800 kPa
48 bar

Flow Range To: 100 gpm
379 lpm



Applications

- In-plant Systems
- Process Fluids
- Lube Oil Systems

Features

DPK350 duplex filter assemblies allow continuous filtration during filter servicing to avoid machine shutdown. The DPK350 duplex design combines lighter weight aluminum heads with durable steel bowls for a high-performance assembly. Choose between optional features such as no by-pass, by-pass valve, visual indicators or combination electrical/visual indicators for a customized assembly that best fits the needs of your specific application. Filter performance ranges from 5 μ to 25 μ at beta 1000 and high collapse elements are available at 5 μ and 27 μ , offering additional flexibility to achieve the filtration level your system requires.

- Head Material: Anodized Aluminum Alloy
- Bowl Material: Steel
- Optional visual and visual / electric indicators
- Self locking transfer valve
- Automatic bleed-over valve

Beta Rating

- Performance to $\beta_{5(c)}=1000$

Porting Size Options

- 1-1/2" SAE 4-Bolt Flange Code 61

Replacement Filter Lengths

- 14.62" / 371 mm

Filter Collapse Ratings

- 300 psid / 207 kPa / 21 bar (standard)
- 3045 psid / 2100 kPa / 210 bar (high collapse)

Assembly Weight

- 44 lbs / 20 kg

Operating Temperatures

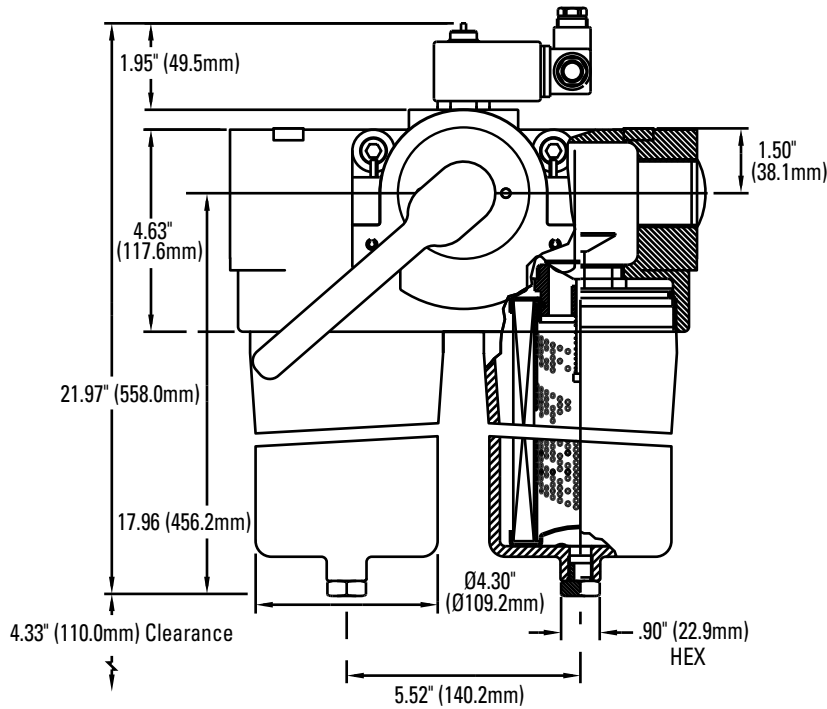
- -40° to 250°F (-40° to 121°C)

Standard Bypass Ratings

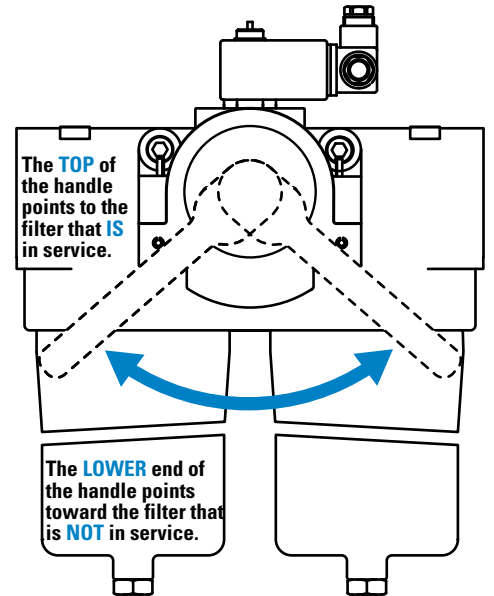
- 50 psi / 345 kPa / 3.5 bar
- No bypass

DPK350 Specification Illustrations

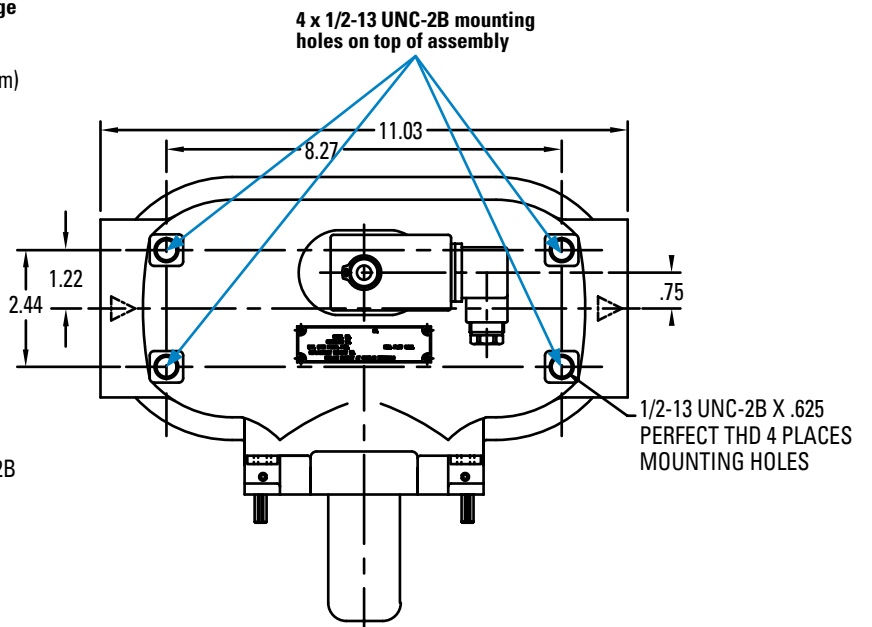
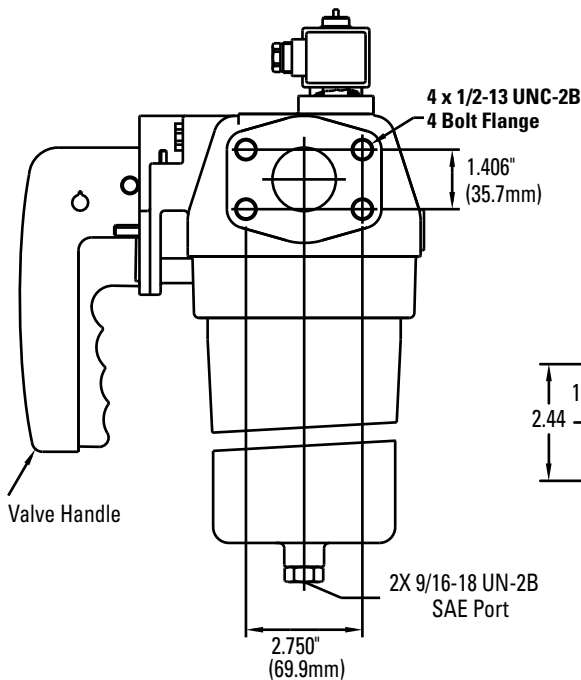
Assembly - Side Views



The handle shifts fluid flow from one filter to the other.



Head - Top View





DPK350
Max Flow: 100 gpm (379 lpm)



DPK350 Components

Assembly Choices

Part No.	Port Connections	Bypass Valve	Comments
P577024	1-½" SAE 4-bolt flange code 61	No bypass	Filter elements not included with assembly. Please select filter elements from list below
P577025	1-½" SAE 4-bolt flange code 61	50 psi (3.4 bar) bypass	Filter elements not included with assembly. Please select filter elements from list below

Filter Choices

Media Type	$\beta_{x(c)} = 1000$ Rating based on ISO 16889	Length		Donaldson Part No.	Comments
		in	mm		
DT Synteq	5 µm	14.62	371	P567101	
Synthetic	8 µm	14.62	371	P567102	
	13 µm	14.62	371	P567103	
	23 µm	14.62	371	P567104	
	5 µm	14.69	373	P560716	High collapse
	27 µm	14.69	373	P560718	High collapse

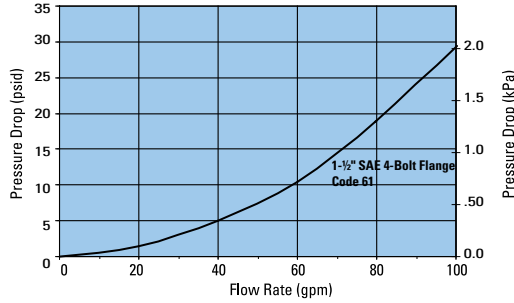
Service Indicator Choices

Use with Bypass Valve Pressure of:	Indicator Part No.	Seal Material	Connector Style
Visual / Electric Models			
50 psi / 345 kPa	P577029	Viton seal	Hirschman
Visual Models			
50 psi / 345 kPa	P577028	Viton seal	Manual reset

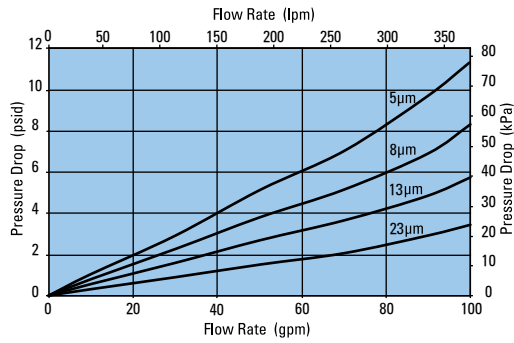


Performance Data

DPK350 Housing Only
Flow Rate (lpm)



DPK350 14" Filter Only
(DT Synthetic Synteq Media, 14.62"/371mm)



DPK350 14" High-Collapse Filter Only
(DT Synthetic Synteq Media, 14.68"/373mm)

