



DPK2400

Max Flow: 100 gpm (379 lpm)

DPK2400 In-Line Cartridge Filters

Working Pressures to: 2400 psi
16547 kPa
165.4 bar

Rated Static Burst to: 8000 psi
55157 kPa
552 bar

Flow Range To: 100 gpm
379 lpm



Applications

- In-plant Systems
- Process Fluids
- Lube Oil Systems

Features

DPK2400 duplex filter assemblies allow continuous filtration during filter servicing to avoid machine shutdown. The DPK2400 duplex design combines durable iron heads and carbon steel bowls for superior, high-strength performance. Choose between optional features such as no bypass, bypass valve, visual indicators or combination electrical/visual indicators for a customized assembly that best fits the needs of your specific application. Filter performance ranges from 5 μ to 25 μ at beta 1000 and high collapse elements are available at 5 μ and 27 μ , offering additional flexibility to achieve the filtration level your system requires.

- Head Material: Durable Iron
- Bowl Material: Carbon Steel
- Optional visual and visual / electric indicators
- Self locking transfer valve
- Automatic bleed-over valve

Beta Rating

- Performance to $\beta_{5(c)} = 1000$

Porting Size Options

- 1-1/2" SAE 4-Bolt Flange Code 61

Replacement Filter Lengths

- 14.62" / 371 mm

Filter Collapse Ratings

- 300 psid / 207 kPa / 20.7 bar (standard)
- 3045 psid / 2100 kPa / 210 bar (high collapse)

Assembly Weight

- 98 lbs / 20 kg

Operating Temperatures

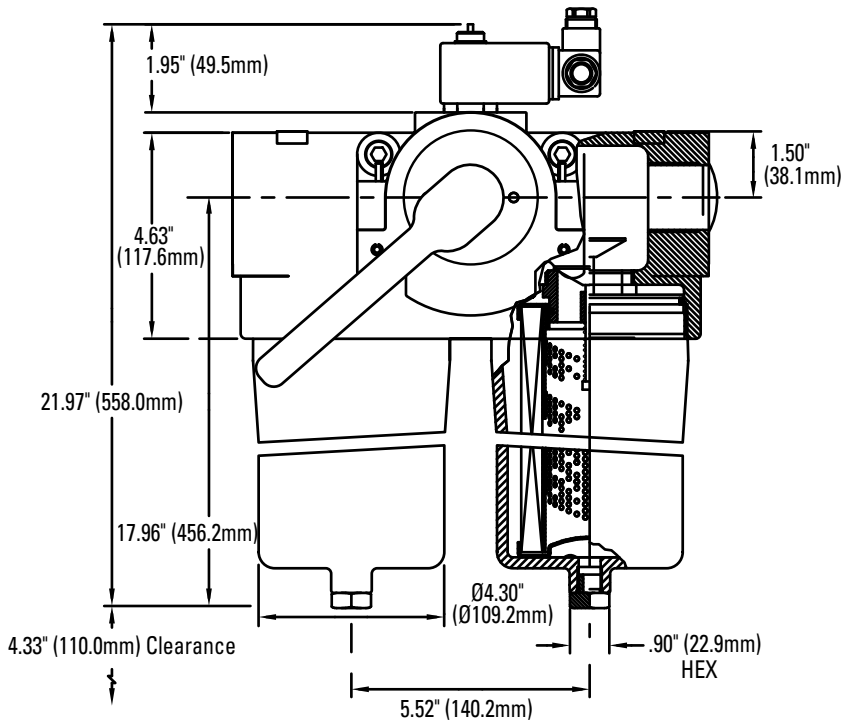
- -40° to 250°F (-40° to 121°C)

Standard Bypass Ratings

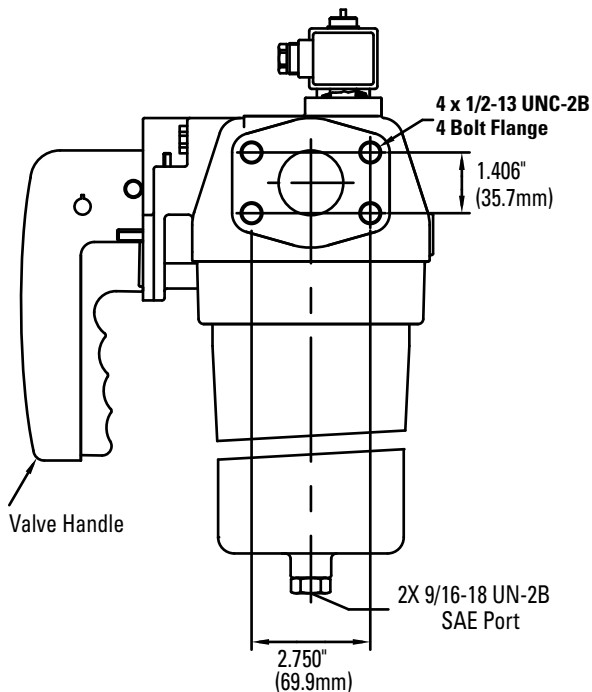
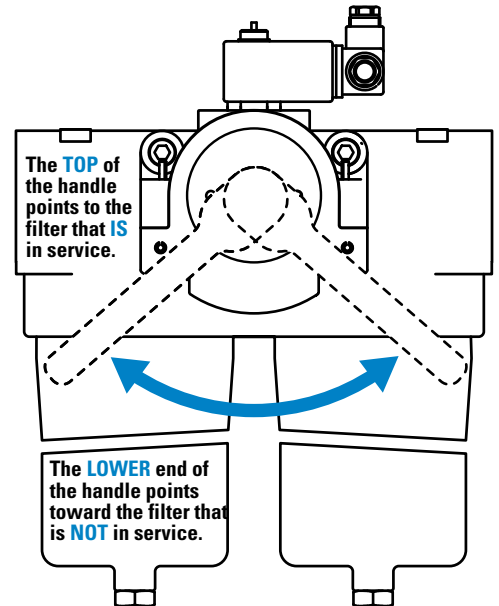
- 100 psi / 690 kPa / 6.9 bar
- No bypass

DPK2400 Specification Illustrations

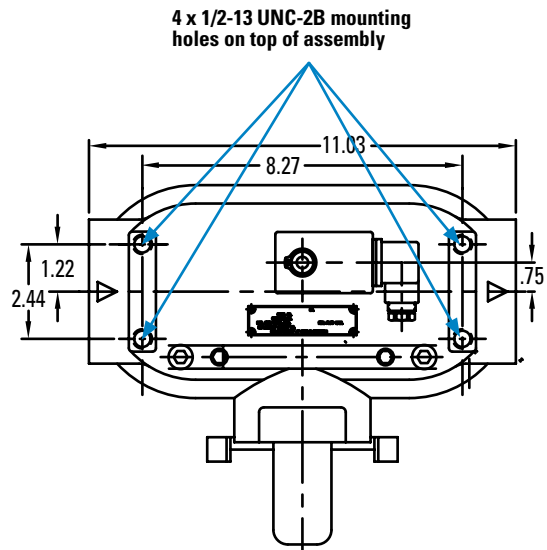
Assembly - Side Views



The handle shifts fluid flow from one filter to the other.



Head - Top View





DPK2400
Max Flow: 100 gpm (379 lpm)



DPK2400 Components

Assembly Choices

Part No.	Port Connections	Bypass Valve	Comments
P577026	1-½" SAE 4-bolt flange code 61	No bypass	Filter elements not included with assembly. Please select filter elements from list below
P577027	1-½" SAE 4-bolt flange code 61	100 psi (6.9 bar) bypass	Filter elements not included with assembly. Please select filter elements from list below

Filter Choices

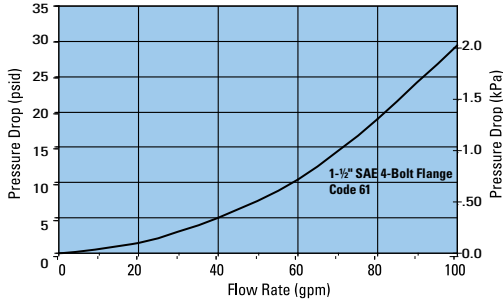
Media Type	$\beta_{x(c)} = 1000$ Rating based on ISO 16889	Length		Donaldson Part No.	Comments
		in	mm		
DT Synteq	5 µm	14.62	371	P567101	
Synthetic	8 µm	14.62	371	P567102	
	13 µm	14.62	371	P567103	
	23 µm	14.62	371	P567104	
	5 µm	14.69	373	P560716	High collapse
	27 µm	14.69	373	P560718	High collapse

Service Indicator Choices

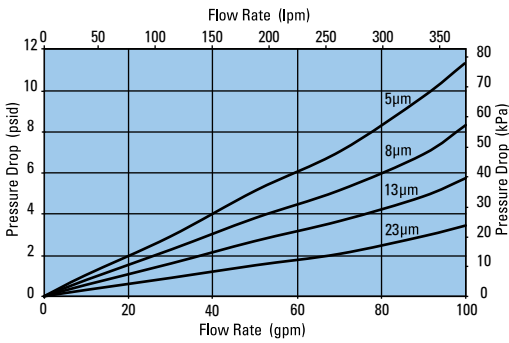
Use with Bypass Valve Pressure of:	Indicator Part No.	Seal Material	Connector Style
Visual / Electric Models			
100 psi / 690 kPa	P577030	Viton seal	Manual reset
Visual Models			
100 psi / 690 kPa	P577031	Viton seal	Hirschman

Performance Data

DPK2400 Housing Only
Flow Rate (lpm)



DPK2400 14" Filter Only
(DT Synthetic Synteq Media, 14.62"/371mm)



DPK240 14" High-Collapse Filter Only
(DT Synthetic Synteq Media, 14.68"/373mm)

